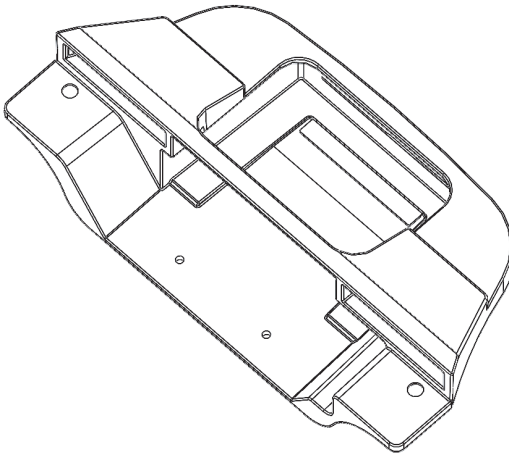
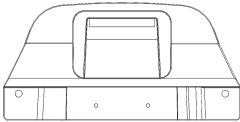


Scan the QR code to verify that you have the latest instructions or visit [vaultenclosures.com/instructions](http://vaultenclosures.com/instructions)



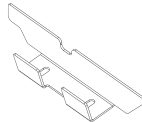
## PARTS INCLUDED

A



IDYNAMO 6  
BRACKET  
(1)

B



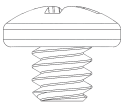
IDYNAMO 6  
U-BRACKET  
(1)

C



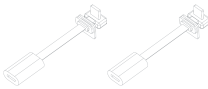
10-32x3/8  
FLAT HEAD  
(2)

D



6-32x1/8  
PAN HEAD  
(2)

E



LIGHTNING & USB TYPE C  
RIBBON EXTENSION CABLE  
(2)

F



DUAL SIDED  
ADHESIVE STRIP  
(1)

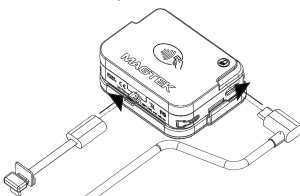
G



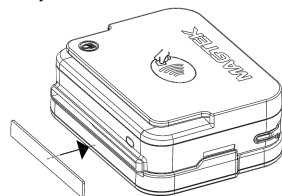
USBA TO USBC  
POWER CABLE  
(1)

## PREASSEMBLY

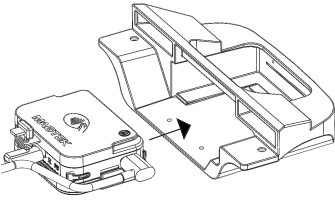
Insert your MagTek iDynamo 6 into the appropriate ribbon extension cable and plug the USBA to USBC power cable into the card reader.



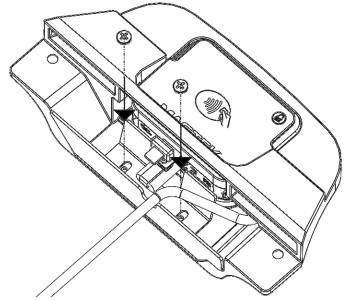
Adhere the dual sided adhesive strip provided to the front of your card reader by removing the yellow film as shown.



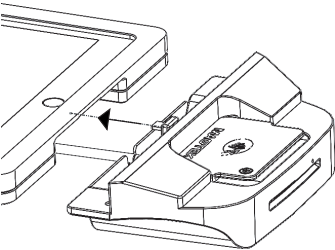
1. Peel the red film off of the other side of your Dual sided adhesive strip from the front of your MagTek iDynamo 6 and insert your card reader into the iDynamo bracket.



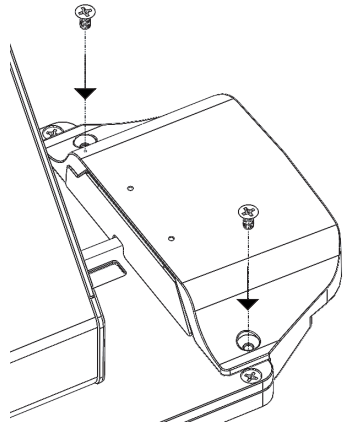
2. Ensure the iDynamo 6 U-Bracket is contacting the card reader to hold it in place. Then use the 2 6-32x1/8 pan head screws to secure the U-bracket in place.



3. Plug the ribbon extension cable into your iPad.



4. Place the iDynamo 6 bracket in the correct position while making sure the power cable is routed properly. Then use the 2 10-32x3/8 flat head screws to fix the iDynamo 6 bracket in place.



REFER TO TABLET ENCLOSURE INSTRUCTIONS  
TO FINISH YOUR SOLUTIONS ASSEMBLY

