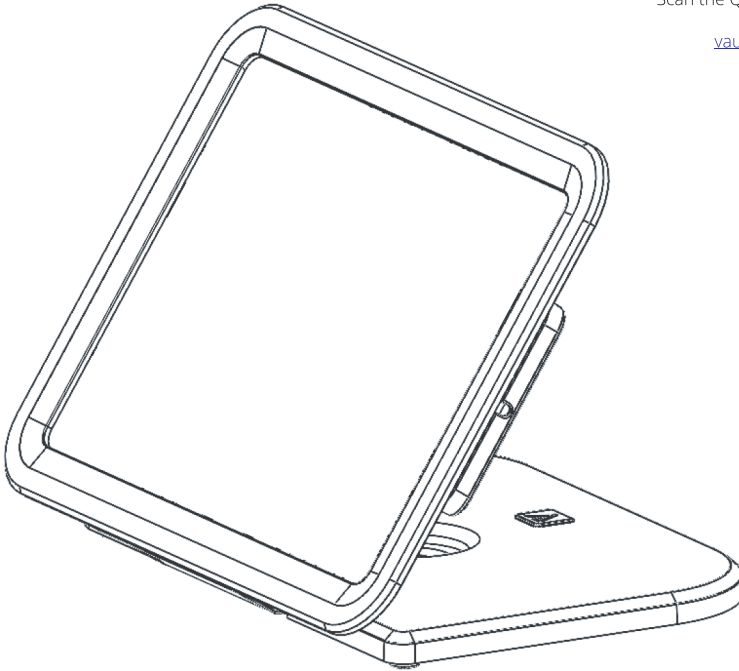
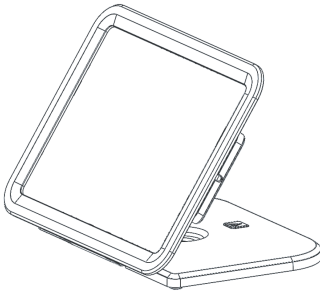


Scan the QR code to verify that you have the latest instructions or visit vaultenclosures.com/instructions



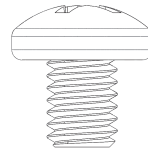
PARTS INCLUDED

A



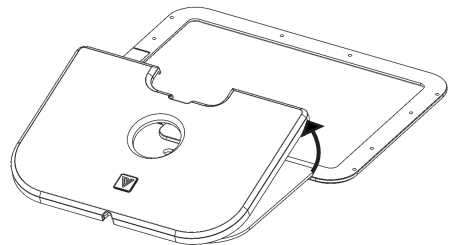
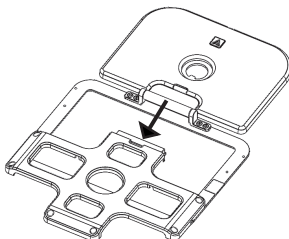
SIM-IP11
(QTY: 1)

B



M4x5mm
Pan Head
(QTY: 6)

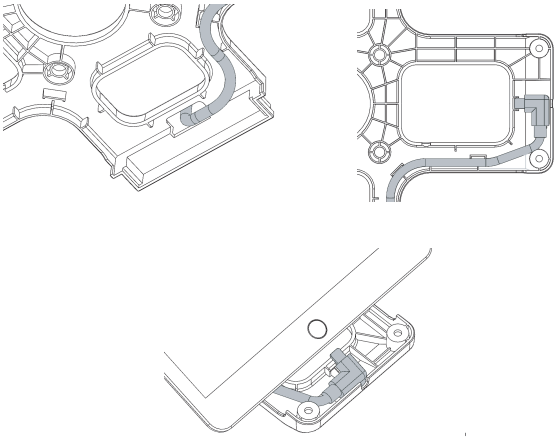
1. REMOVE BACK COVER AND BASE COVER



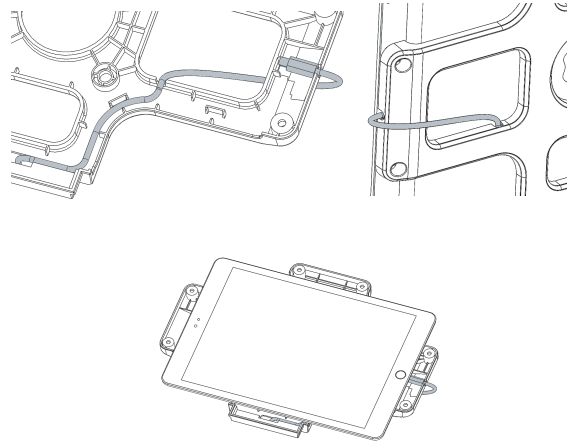
2. CABLE ROUTING AND INSTALLATION OF TABLET

Please follow the appropriate steps depending on if you are using a VAULT Cord or an Apple Cable.

A. VAULT CORD

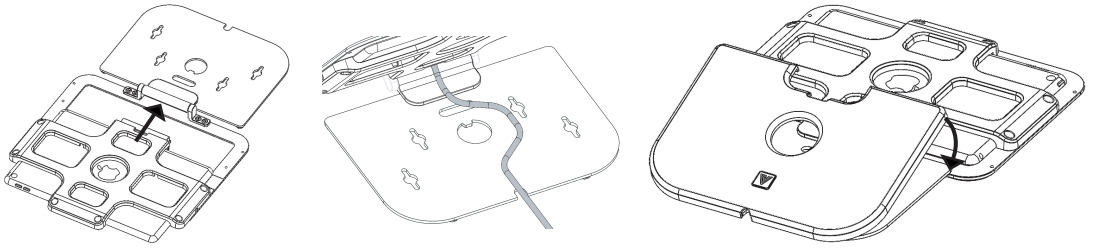


B. APPLE CABLE



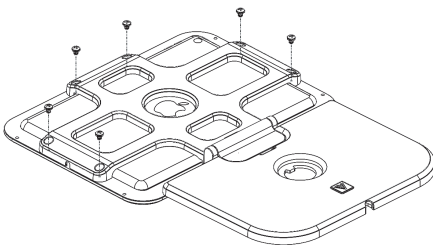
3. REATTACH BACK COVER AND BASE COVER

Place the iPad into the back cover. The back cover will position and hold the supported tablets.



4. SCREW BACK COVER ONTO FACE PLATE

Using the 6 M4x5mm pan head screws provided, screw the back plate cover onto the face plate



MOUNTING OPTIONS

