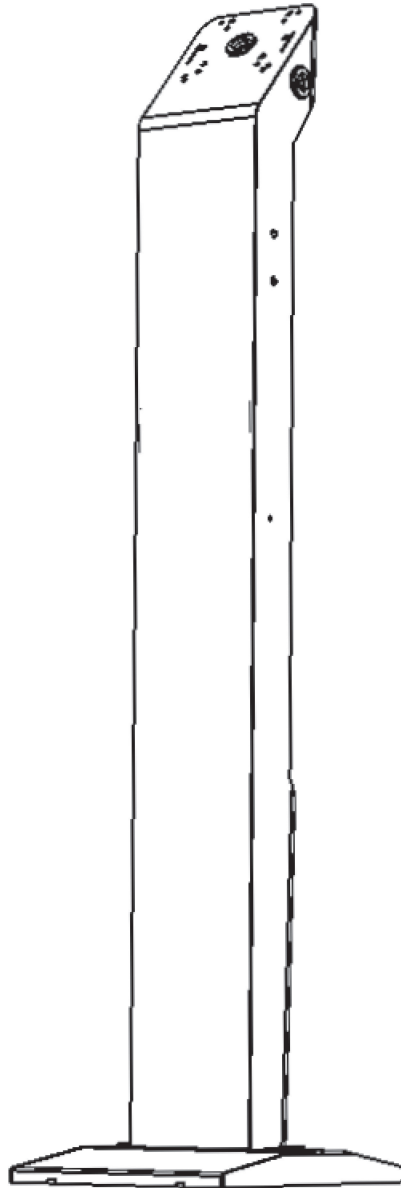


Stability Kiosk

Assembly Instructions

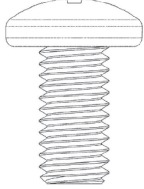
STB-K50 & STB-K44

Scan the QR code for proper assembly instructions if you purchased the Kiosk IDTech iMag PRO II Check-in Bundle.



Parts Included

a
10-32x3/8
Pan Head



(4)

b
10-32x3/8
Flat Head



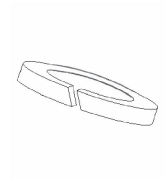
(4)

c
Tower Bolt



(4)

d
Lock Washer



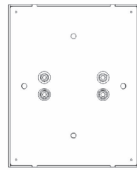
(4)

e
Washer



(4)

f
Base



(1)

g
Tower



(1)

h
Duraco
Adhesive



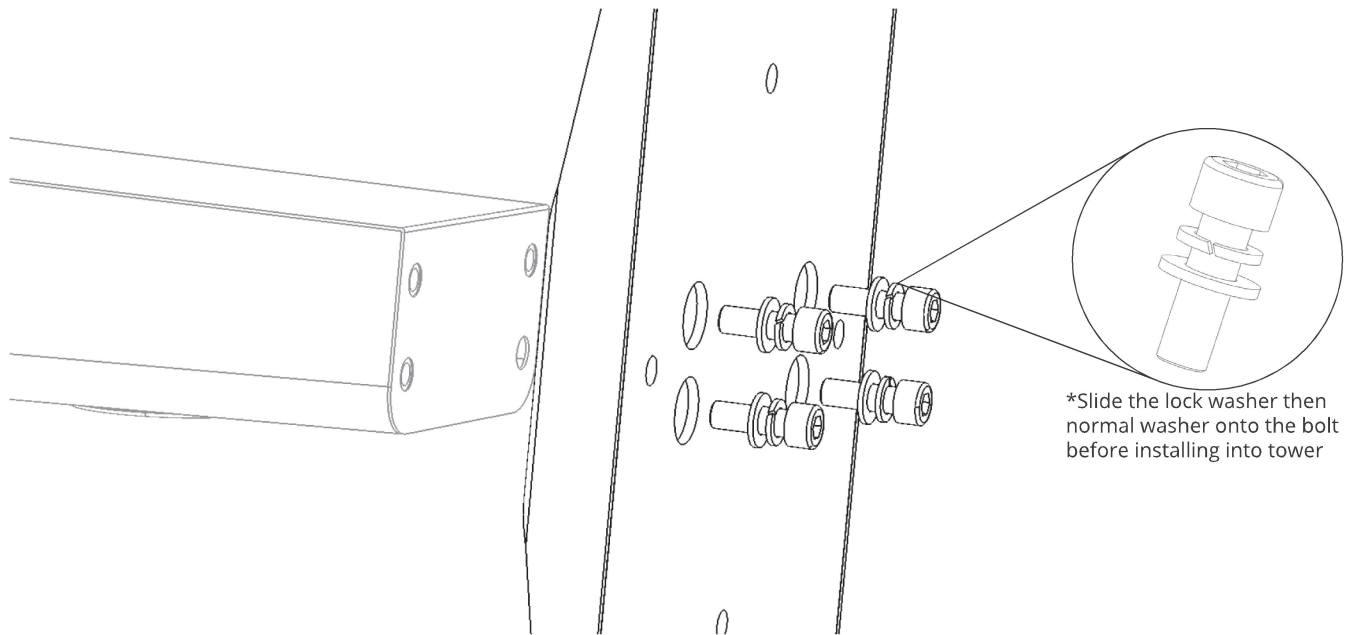
(4)

i
Rubber
Feet (Pre-installed)

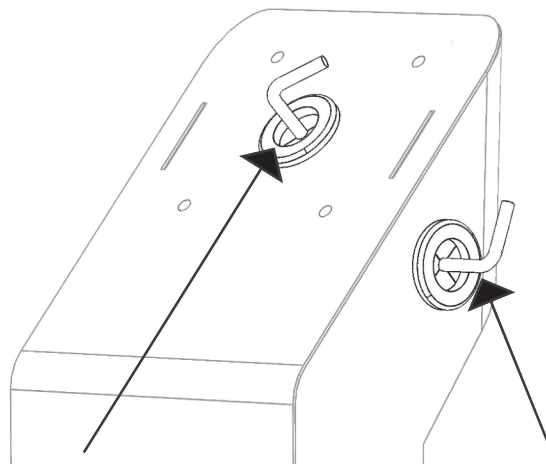


(4)

① Attach tower to base



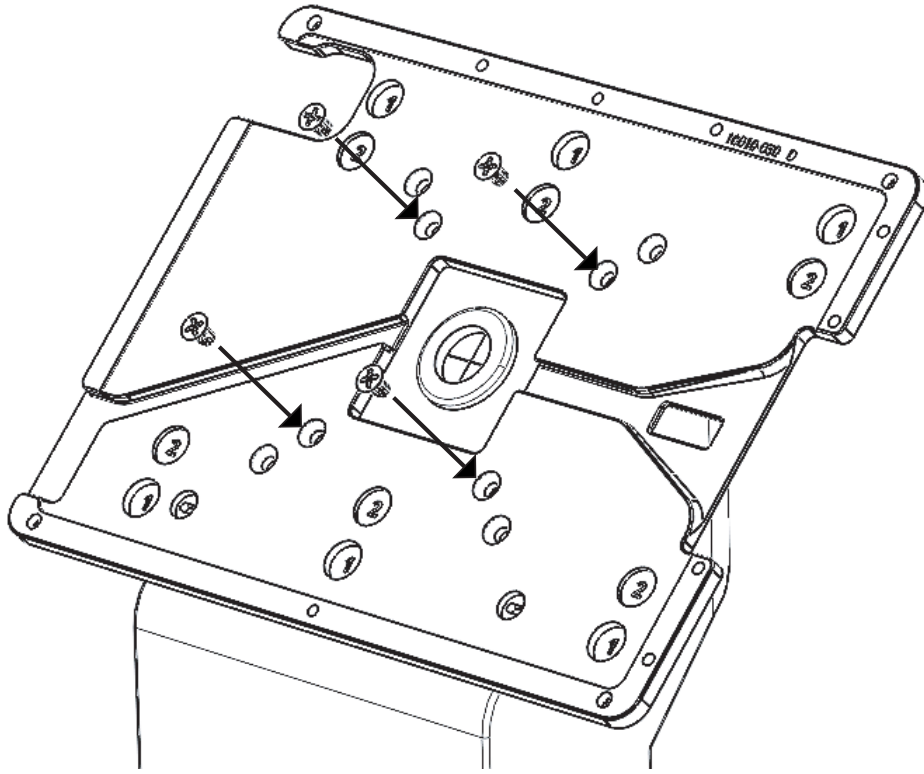
② Route cables



*Route your cable through the top of the mounting plate if using an enclosure with internal cable management. Check your enclosure installation instructions to determine if you have internal cable routing capabilities

*Route your cable out either side of your kiosk if your enclosure does not support internal cable management

③ Install Backplate

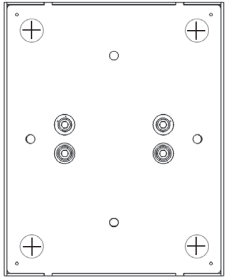


Refer to tablet enclosure and accessories instructions to finish your solutions assembly.



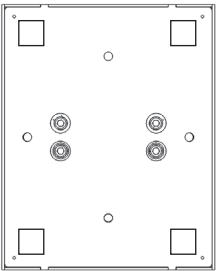
Surface Mounting Options

Standard



For a non-permanent mounting solution, use the (4) included black rubber feet (i). These feet come pre installed on your kiosk base. Set your kiosk up wherever you like for a non-permanent mounting solution

Semi-Permanent



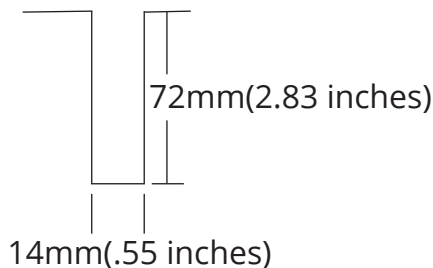
For a semi-permanent mounting solution, use the (4) duraco strips (j) included with your base. Use a phillips head screwdriver to remove the 4 rubber feet on the bottom of the base. Peel off one side of the film and stick it to the four positions pictured above. Let the adhesive **cure onto the base for 3 hours** before peeling off the other side and sticking it to your desired surface. Once you have stuck the base down to a surface, let it sit for another **12 hours** with **NO** interaction before use. To remove duraco, take a piece of filament such as fishing line or dental floss and run underneath the base in a sawing motion to cut the adhesive

Permanent

The most secure way to mount your kiosk to the floor is using the included lag bolts to anchor the base in the floor. This process will make permanent holes in your floor and requires power tools and more advanced knowledge.

① Use the included hole diagram to mark where the 3 lag bolts will be drilled into the floor

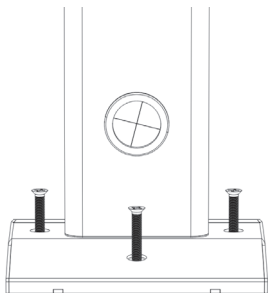
② Drill 3 holes 14mm(.55 inches) wide and 72mm(2.83 inches) deep*



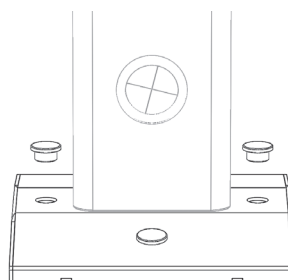
③ Hammer the Lag assembly into the hole with a hammer



④ Unscrew the phillips head bolt and place your base over the top of the 3 holes in the floor. Hand tighten the bolts back down until the base is tight.



⑤ Insert plugs



Warranty

This product comes with VAULT's Lifetime Warranty. All items are covered under this warranty with the following exceptions.

- Damage caused from misuse, abuse, neglect, acts of God.
- Lost parts or surface scratches from use or other actions.
- Stripped or broken screws, warped parts from misuse or improper installation.

All warranty claims should be submitted through the company that you originally purchased the product from. A receipt or other documentation showing date and location purchased will be required. Shipping to VAULT and return shipping to the end user are the responsibility of the end user. VAULT reserves the right to substitute a newer product or one of equal or higher value. If you should have any questions concerning this policy or other items, please contact VAULT at the address contained in this document.