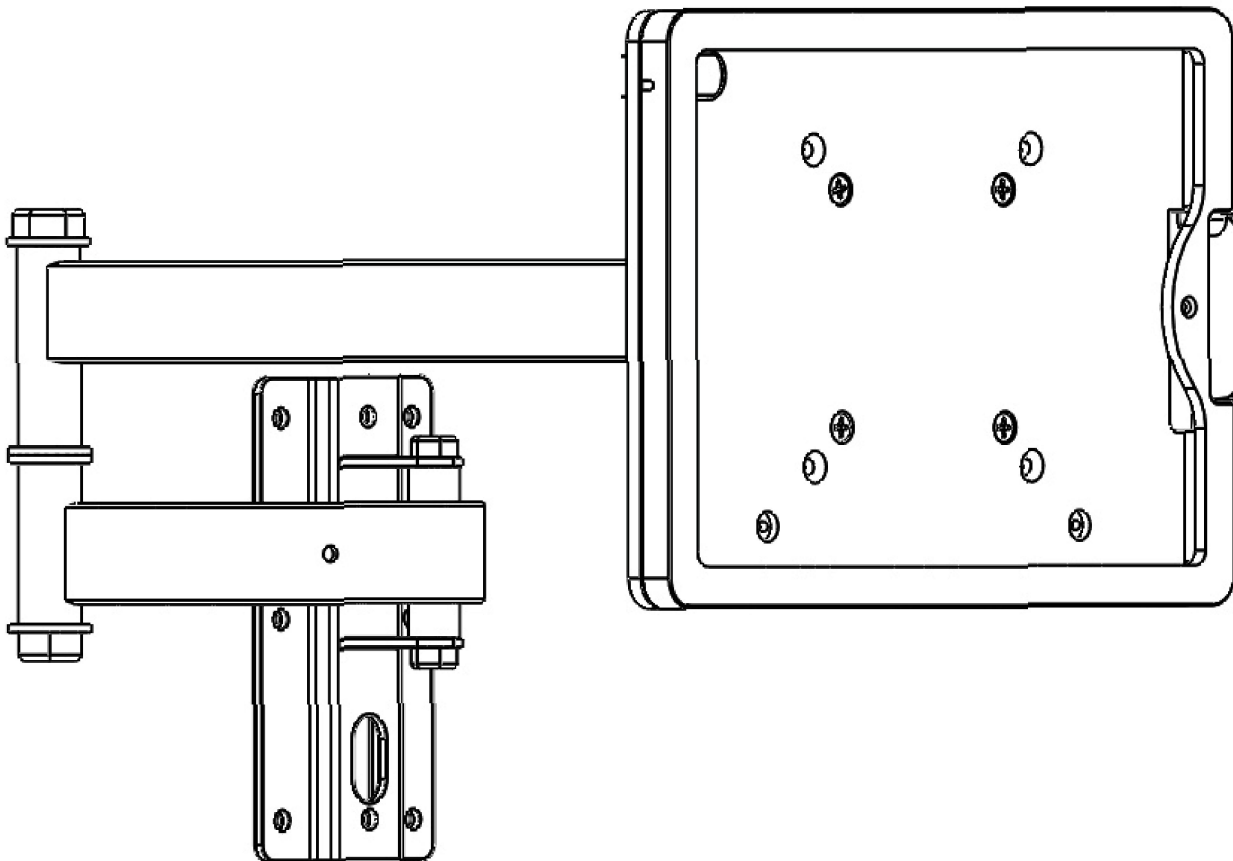


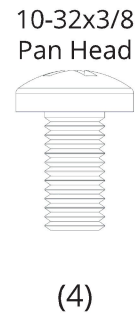
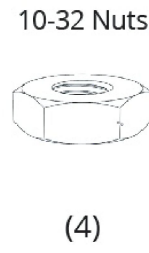
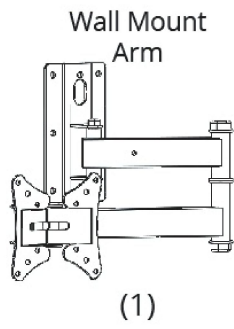
Wall Mount Arm

Assembly Instructions

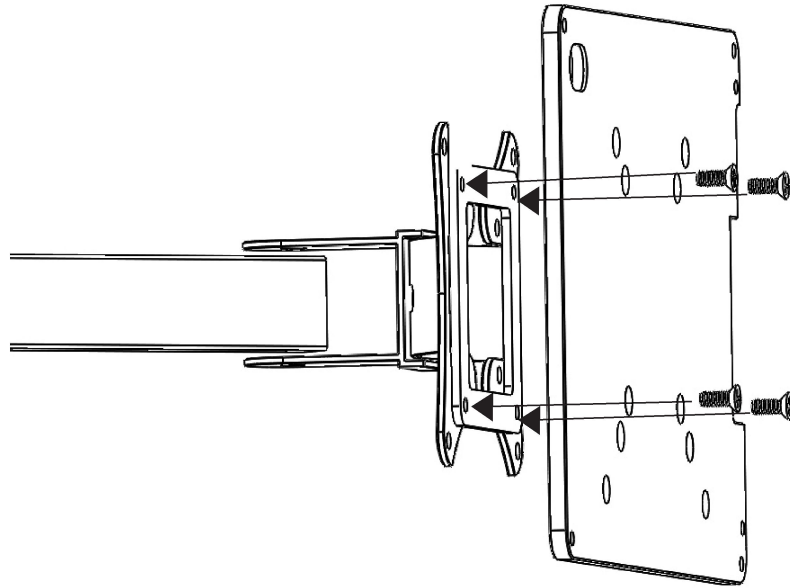
WM-TSA



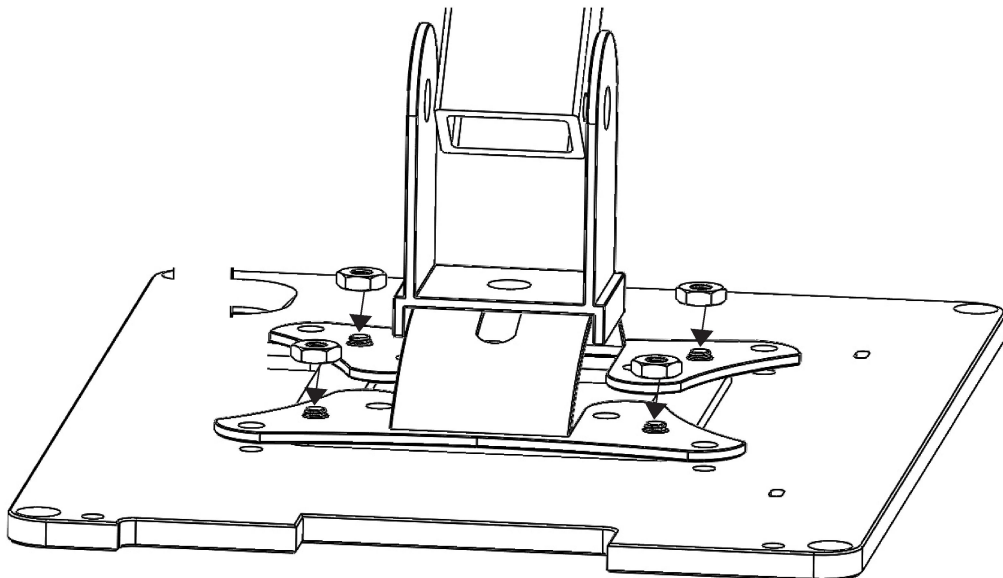
Parts Included



- ① Attach backplate to mounting bracket



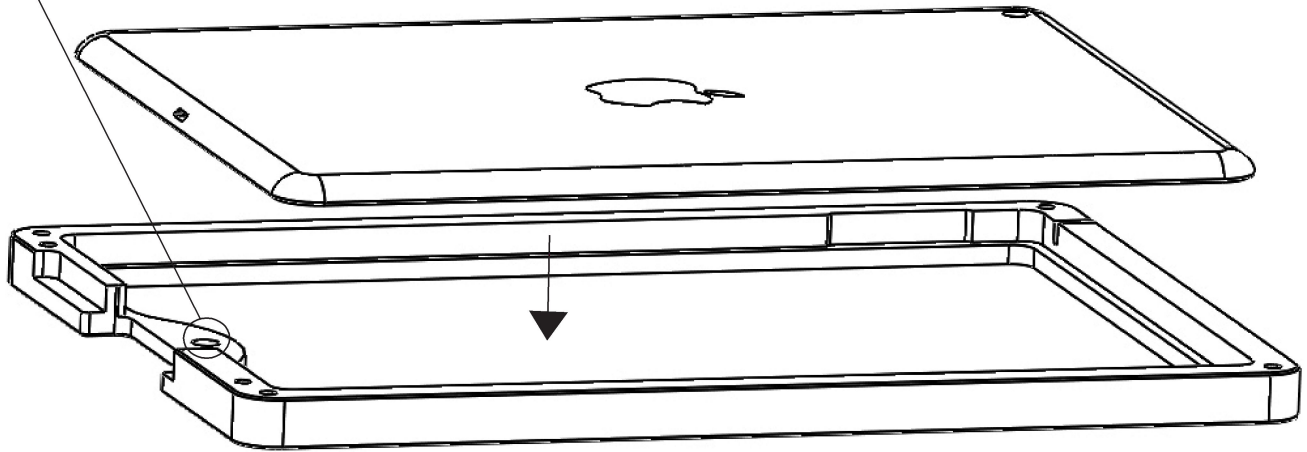
- ② Lay assembly down flat and thread on the 4 included nuts



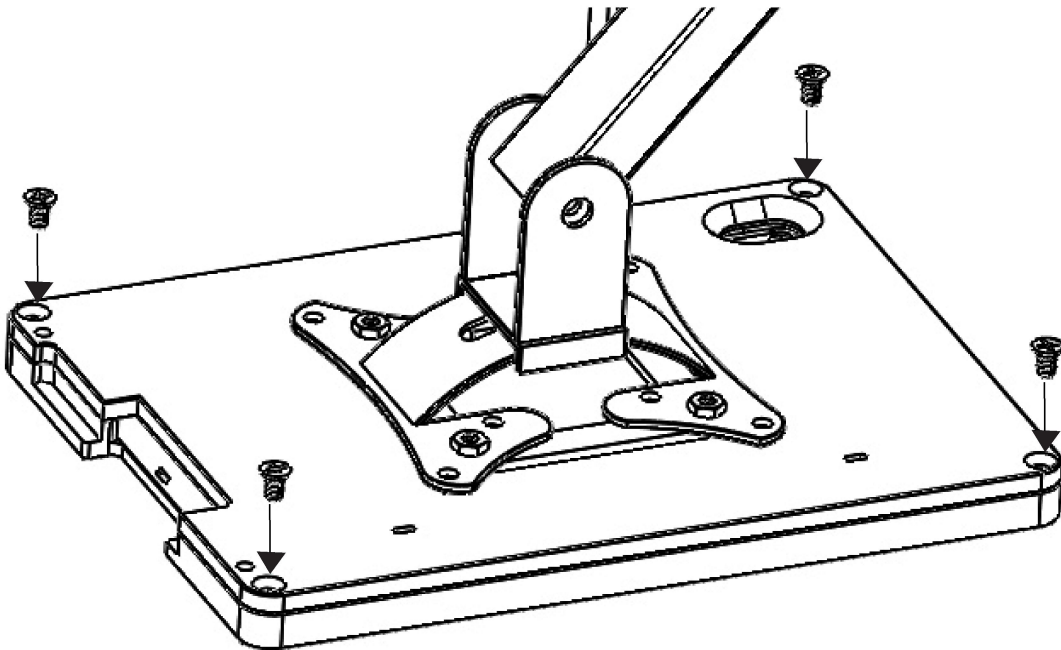
③ Lay tablet down into faceplate

*Note the orientation of the charging port to the faceplate. The charging port should be on the same side as the whole for the home button

Home button hole

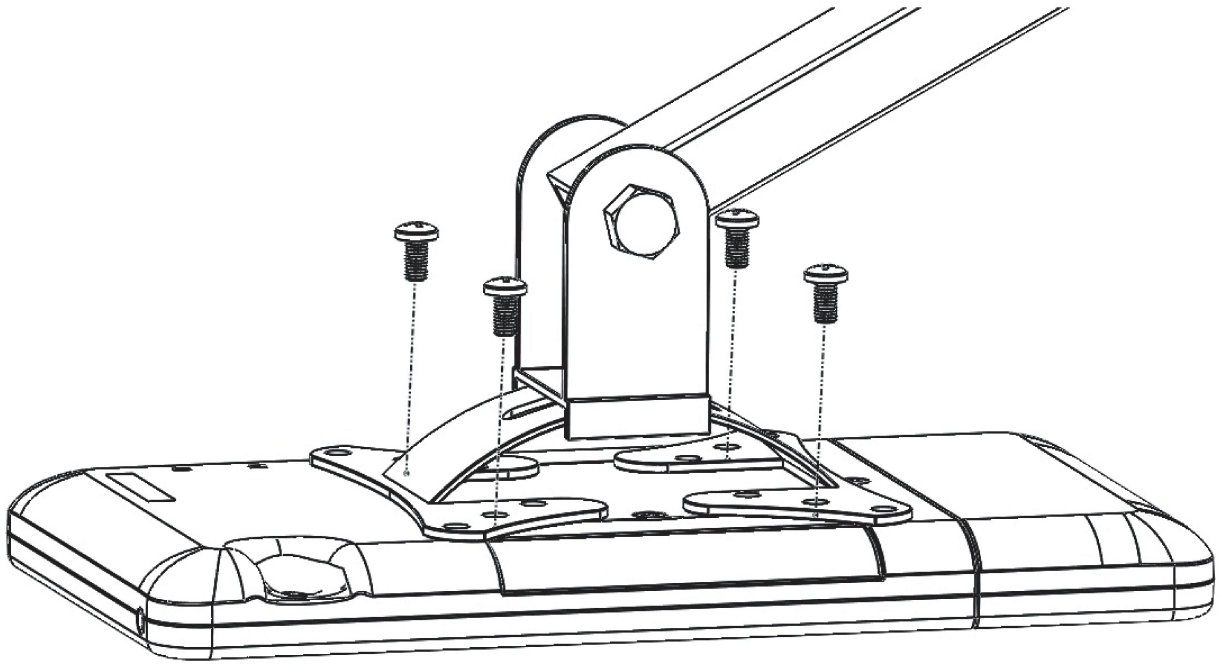


④ Screw the enclosure together

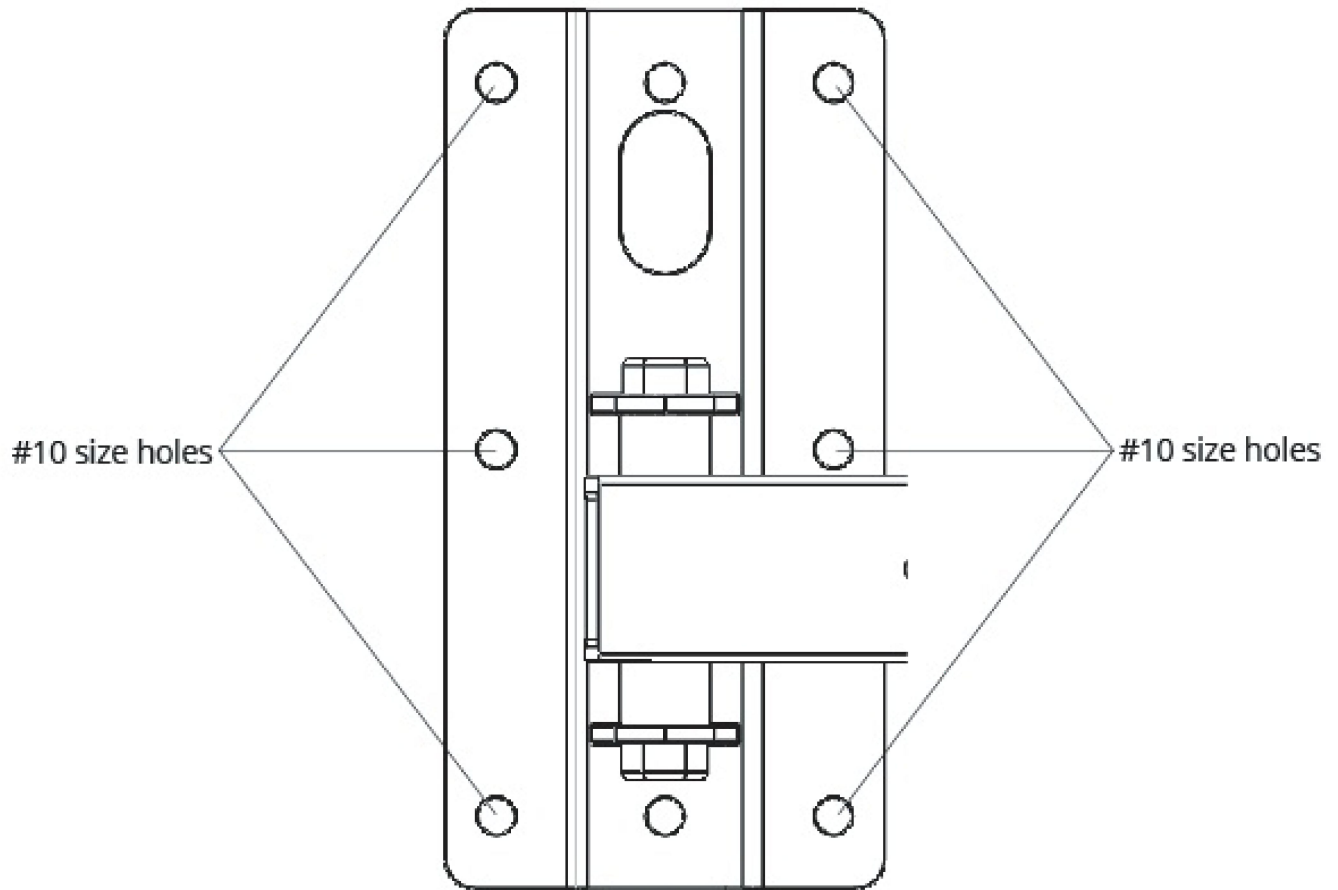


*For Connect enclosures

Use the included 10-32x3/8 Pan Head screws as shown



Mounting to the wall



Mounting hardware is included in your package. The screw size for the mounting holes is a #10 screw size. Please research your office's wall type before attempting to install.

Warranty

This product comes with VAULT's Lifetime Warranty. All items are covered under this warranty with the following exceptions.

- Damage caused from misuse, abuse, neglect, acts of God.
- Lost parts or surface scratches from use or other actions.
- Stripped or broken screws, warped parts from misuse or improper installation.

All warranty claims should be submitted through the company that you originally purchased the product from. A receipt or other documentation showing date and location purchased will be required. Shipping to VAULT and return shipping to the end user are the responsibility of the end user. VAULT reserves the right to substitute a newer product or one of equal or higher value. If you should have any questions concerning this policy or other items, please contact VAULT at the address contained in this document.