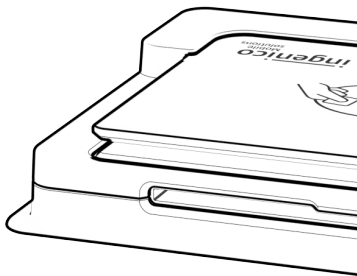
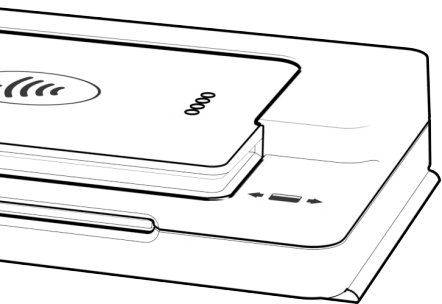


MOBY/5500 CARTRIDGE

MOBY/5500



Rev A



CNX2-M55

CONTENTS

What's Included	1
Assembly	3
Disassembly	13

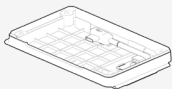
WHAT'S INCLUDED

D:1



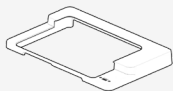
Cartridge Screw
4-40 x 1/2" (4)

D:2



Cartridge Bottom
(1)

D:3

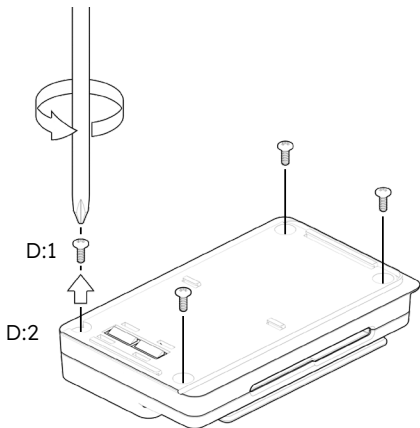


Cartridge Top
(1)

ASSEMBLY

1

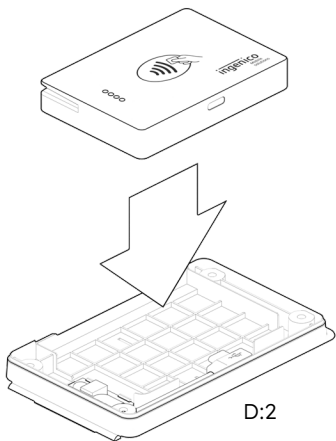
Remove the Screws (D:1) from the Cartridge Bottom (D:2).



ASSEMBLY

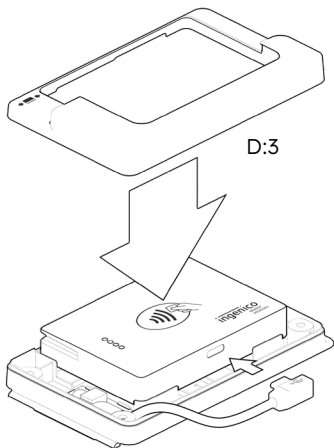
2

Open the Reader Cartridge.
Place the Moby/5500 in the
Cartridge Bottom (D:2).



3

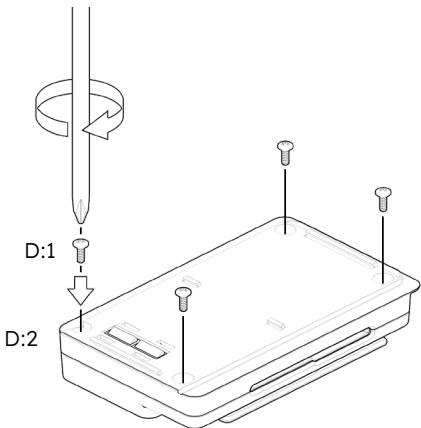
Plug the USB-C cable into the Moby/5500. Place the Cartridge Top (D:3) back on.



ASSEMBLY

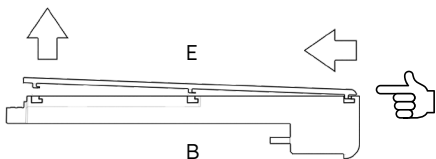
4

Tighten the Screws (D:1) into the Cartridge Bottom (D:2).



5

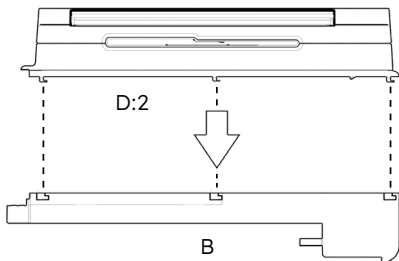
Push on the back of the NOCC plate while lifting the front to remove it from the Sled (B).



ASSEMBLY

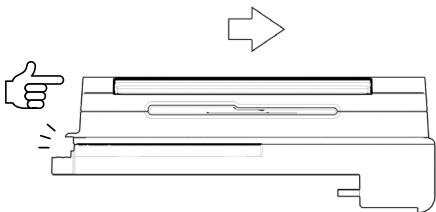
6

Place the feet of the Cartridge Bottom (D:2) straight down into the slots on the Sled (B) top.



7

Push on the front of the Reader Cartridge until you feel a click.



Attention

To continue the assembly process,
please refer to the Get Started
instruction booklet.

Attention

DISASSEMBLY

Attention

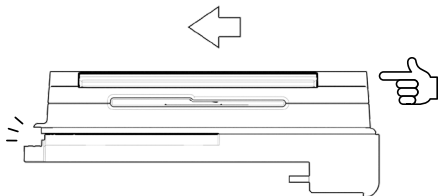
Please refer to the Get Started instruction booklet to begin disassembly.

Attention

DISASSEMBLY

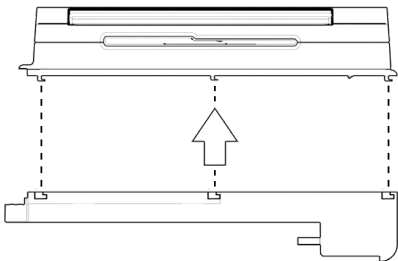
1

Push on the back of the Reader Cartridge until you feel a click.



2

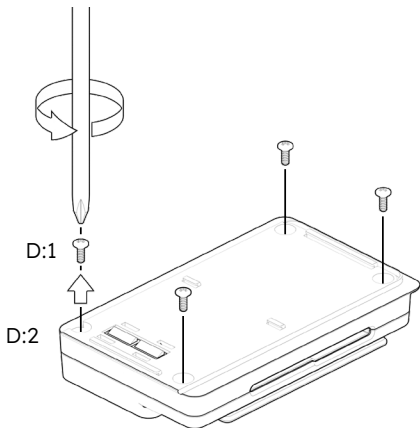
Pull the Reader Cartridge straight up to release.



DISASSEMBLY

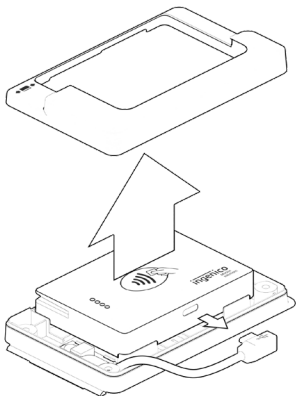
3

Remove the Screws (D:1) from the Cartridge Bottom (D:2).



4

Open the Reader Cartridge, unplug the Moby/5500, and remove the card reader.



Disassembly Complete

