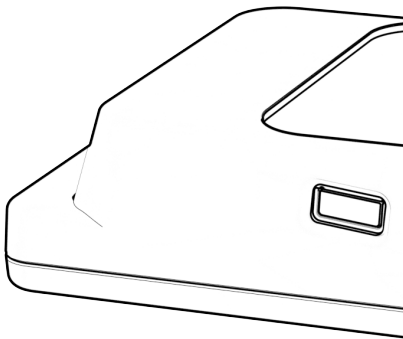


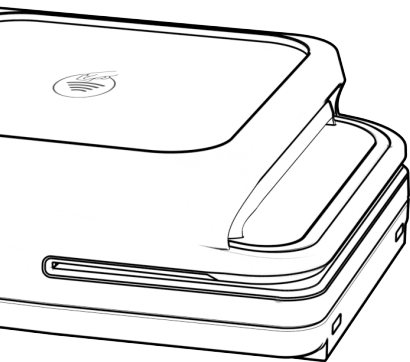
STRIPE M2 CARTRIDGE

Assembly Instructions

STRIPE M2



Rev A



CNX2-SM2

CONTENTS

What's Included	1
Assembly	3
Disassembly	13

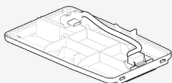
WHAT'S INCLUDED

D:1



Cartridge Screw
4-40 x 1/2" (2)

D:2



Cartridge Bottom
(1)

D:3

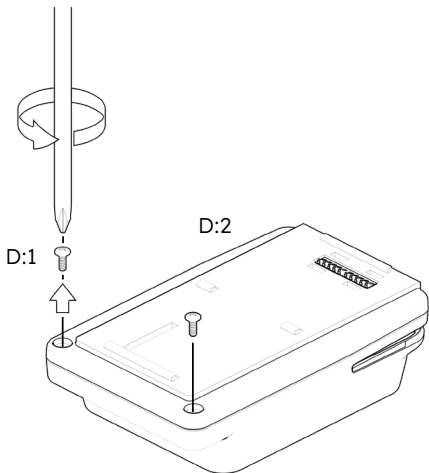


Cartridge Top
(1)

ASSEMBLY

1

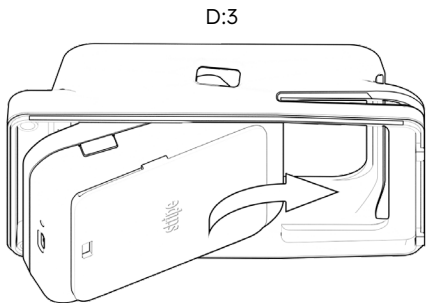
Remove the Screws (D:1) from the Cartridge Bottom (D:2).
Open the Reader Cartridge.



ASSEMBLY

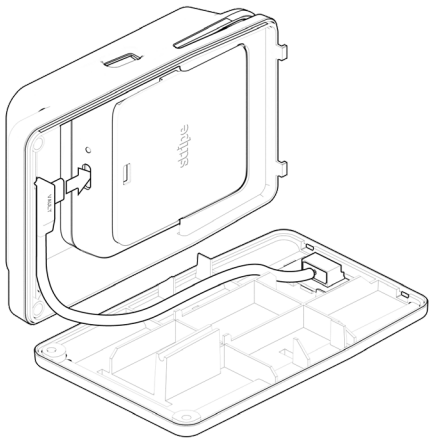
2

Slide the Stripe M2 into the Top Cartridge (D:3), matching the M2's slots to the Top openings.



3

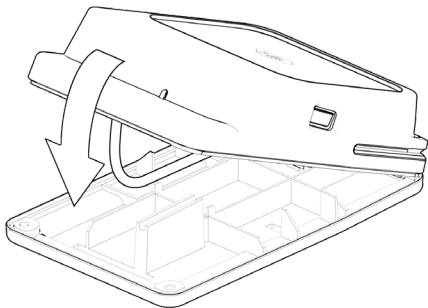
Plug the USB-C cable from the Cartridge Bottom into the Stripe M2, avoiding the reset opening.



ASSEMBLY

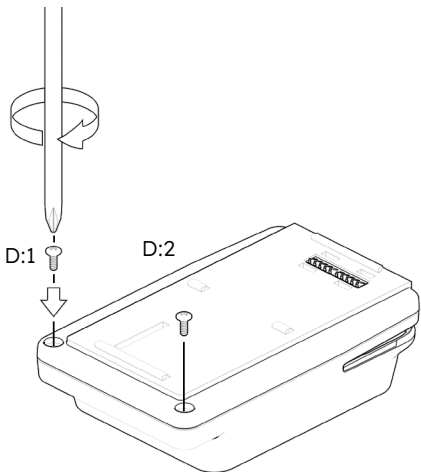
4

Close the two Cartridge pieces, making sure to align the cable into the plastic channel.



5

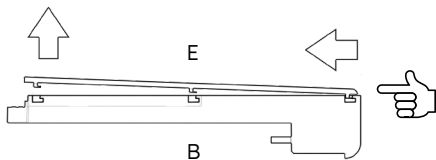
Tighten the Screws (D:1) into the Cartridge Bottom (D:2).



ASSEMBLY

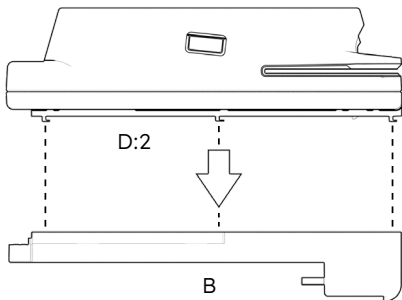
6

Push on the back of the NOCC plate (E) while lifting the front to remove it from the Sled (B).



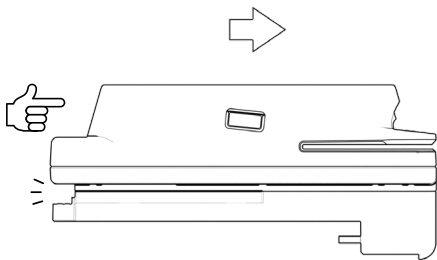
7

Place the feet of the Cartridge Bottom (D:2) straight down into the slots on the Sled (B) top.



8

Push on the front of the Reader Cartridge until you feel a click.



Attention

To continue the assembly process,
please refer to the Get Started
instruction booklet.

Attention

DISASSEMBLY

Attention

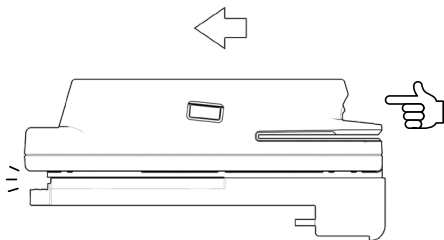
Please refer to the Get Started instruction booklet to begin disassembly.

Attention

DISASSEMBLY

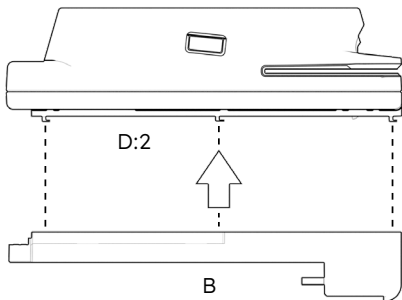
1

Push on the back of the Reader Cartridge until you feel a click.



2

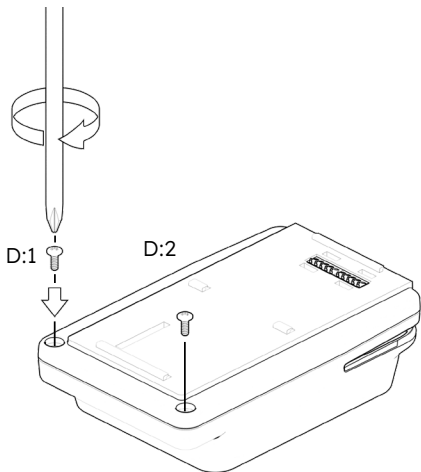
Pull the Reader Cartridge straight up to release.



DISASSEMBLY

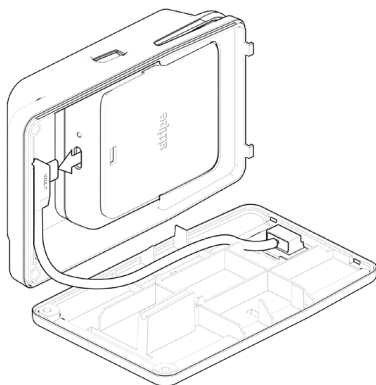
3

Remove the Screws (D:1) from the Cartridge Bottom (D:2).



4

Open the Reader Cartridge and unplug the Stripe M2.

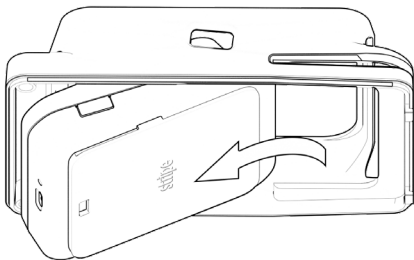


DISASSEMBLY

5

Slide the M2 out of the Cartridge Top (D:3).

D:3



Disassembly Complete

